

Bridge City UG-1 Universal Gauge



Quality is contagious
BRIDGE CITY TOOL WORKS

ENGLISH VERSION

UG-1 Universal Gauge

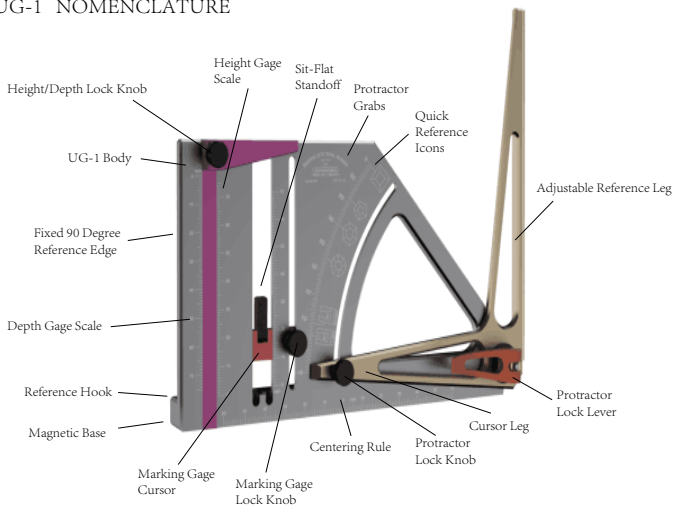
Congratulations on your purchase of the UG-1 Universal Gauge!

Please read the following general usage and set-up notes prior to using your new tool.

Universal Gages are available in left and right versions, and this is determined by which side the purple height gage is located. In addition, if your table saw tilts to the right (as viewed from the position you stand when making a cut), use the left-handed version. If it tilts to the left, use the right-handed version.

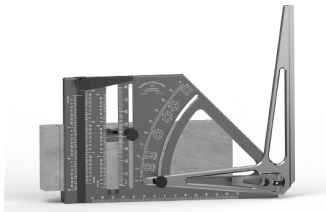
NOTE: Regardless of whether you have a left or right UG-1, their uses are identical. In this manual we are demonstrating the various functions using a UG-1 Left version.

UG-1 NOMENCLATURE



TRY SQUARE

There are two 90-degree references within the functionality of the UG-1, one fixed and one utilizing the protractor arm. In use, both utilize the reference hook on the back of the tool or the parallel magnetic reference base. Accuracy of the fixed square is plus or minus 0.05 mm (0.002") over the length of the 90mm leg (3.5").



The 144.5mm (5-5/8") long protractor leg can be set to 90 degrees and features an offset which serves two purposes, the first allows the 2mm (0.079") thin blade edge to fit between the teeth of a circular saw blade and the second function facilitates the tilting of drill press tables. By chucking a drill rod blank in the drill press, you have two surfaces on the arm to help precisely set the drill press table to either square or any angle up to 45 degrees.

PROTRACTOR

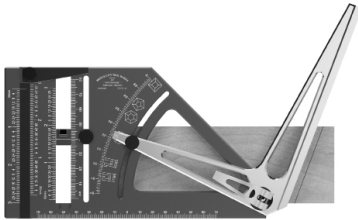
Utilizing a laser etched 45-degree quadrant, (0.5° graduations, and it is easy to visually reference a quarter of a degree), the UG-1 is a quick and fast protractor. Combining this adjustability with the reference hook of the body creates an efficient layout tool or as a set-up tool. It also features quick reference icons for the common angles needed to make polyangular forms.

DOVETAIL SQUARES

For those who make hand cut dovetails, it is easy and fast to quickly set the protractor arm to either 6:1 or 8:1 ratios using the quick set icons as a reference. If you need to "reverse" the setting, transfer the angle to a sliding "T" bevel.

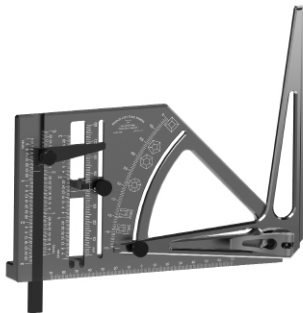
DIRECT READING BEVEL

The UG-1 is an effective layout tool substitute for the standard “T”-Bevel. The blade sits flat on your work piece which allows for precise transfers of angularity between the tool to your stock. It features a two-point locking system-It is a “best in class” locking system. And the locking lever facilitates those with hand strength constraints.



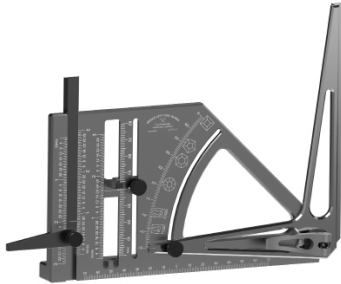
DEPTH GAGE

The depth gage function of the UG-1 will measure depths in cavities as small as 6mm in diameter and up. Depth capacity is 76mm (3”). Use this to determine the depth of mortises, dados, rabbets, holes and other assorted recesses. It is fast, and locks via a jammed dovetail slide. It particularly useful in conjunction with measuring depths when cut by a router. In addition, this is the tool to use when you need to precisely offset a split fence on a router table or shaper.



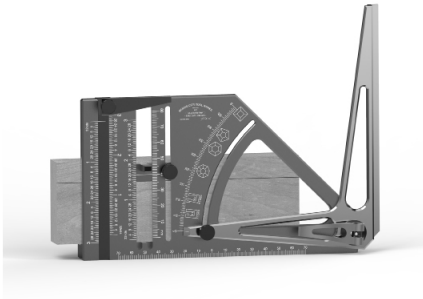
HEIGHT GAGE

Often overlooked as a valuable shop aid, a good height gage can save a lot of time. It is primarily used as a static way to set the height of circular saw blades, JMP blades, router bits and shaper cutters. It positively locks via a jammed dovetail slide.



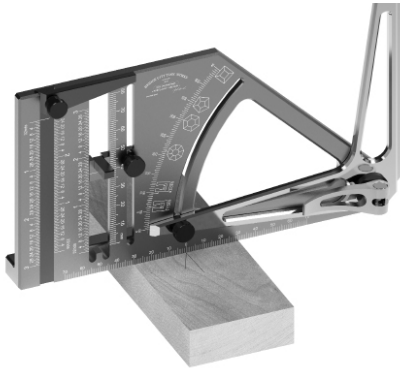
MARKING GAGE

The marking gage on the UG-1 is a quick way to layout lines a specific distance from the hook reference. It is not as efficient, or as versatile as a stand-alone marking gage but works well for tenon layout and other smaller scale applications where parallel lines of a known distance are required. Simply set the red indicator at the desired distance and mark along the bottom edge of the indicator.



CENTERING RULE

The UG-1 can be used to quickly find dead center of stock up to 140mm (5.5”) in width. The scale is metric which is ideal for a centering rule, all you need to do is align the two same numbers on the right and left edges of the stock, and the “0” mark indicates center.



FLIP STANDOFF

When you need to lay the Universal Gage on a flat surface, flip the standoff downward and slide the red marking gage assembly to the top of the tool and lock. This will keep the Universal Gage from tipping.



INCH/METRIC COMPARISION TOOL

The marking gage of the UG-1 features opposing scales, one imperial, one metric. Sooner than you think possible, you will learn that 25mm is about an inch, 12mm is about ½” and so on.

THE MAGNETIC BASE

There are times where a magnetic base is ideal when you need both hands for other tasks. This is useful for static machine setups.

JOINTMAKER PRO OWNERS

The UG-1, both left and right versions, is an ideal JMP accessory. Precisely controlling blade height, tilt and fence angles have never been easier. And since most JMP owners have the metal stand, the UG-1 magnetically attaches to any part of the stand. It is fast, convenient and accurate.

SPECIFICATIONS

The specifications for each version are identical and are listed below:

OAL with blade @90 degrees = 185.6mm

OAH with blade @90 degrees = 153.2mm

Body Height Only = 100mm

Magnetic Sole Width = 16mm

Mass = 560 grams (exclusive of packaging)

Depth Gage Capacity = 3 in/76.2mm

Depth Gage Minimum Hole Capacity = 6mm

Height Gage Capacity = 3 in/76.2mm

Marking Gage Capacity = 2.75 in/70mm

Protractor Resolution = 0.5°

Center Rule Capacity = 140mm

Rule Units = .5mm or 1/16”

中文版本

UG-1万能规

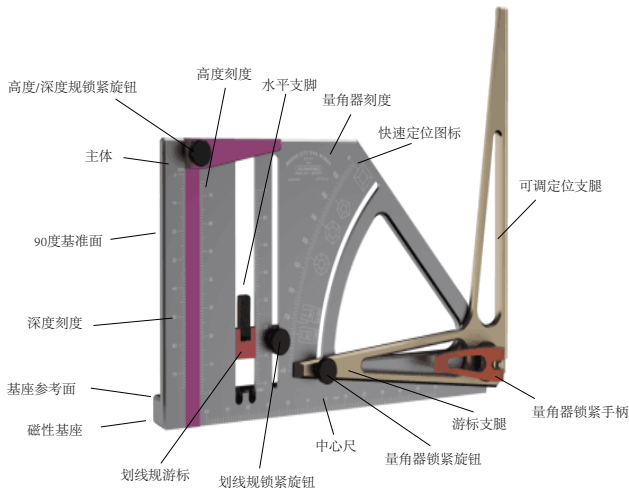
恭喜您购买了UG-1万能规!

在使用新的万能规之前, 请阅读以下使用方法和设置说明。

万能规分为左右两个版本, 根据侧边紫色的高度规的位置来判断。另外, 如果你的台锯锯片为右倾方向(站在操作位置观察), 使用左手版本。如果锯片左倾, 使用右手版本。

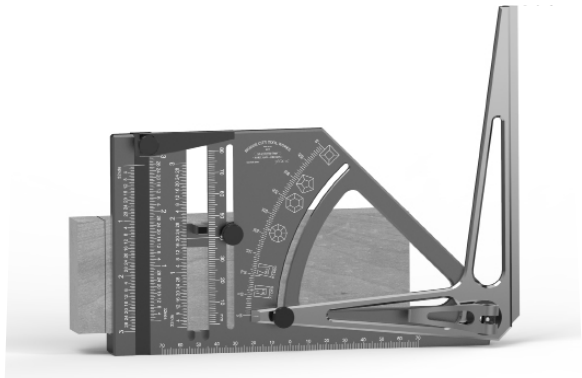
注意:不论您拥有的是左手还是右手版本, 他们的使用方法是一样的。在此说明书中使用左手版本介绍不同的功能。

UG-1 术语



直角规

UG-1上有两个可用的直角规，一个是固定直角规，一个是通过可调定位支腿固定的直角规。使用基座参考面勾住工件，或与之平行的磁性基座为基准。固定直角规的精度为：在全长90mm（3.5”）范围内，正负0.05mm（0.002”）。



可调定位支腿的长度为144.5mm（5-5/8”）并且有两个定位面。外部的定位面厚度为2mm（0.079”）可以用于锯片的角度定位，另外可调支腿上的直角位置可以用于定位台钻钻头与台板的角度。

量角器

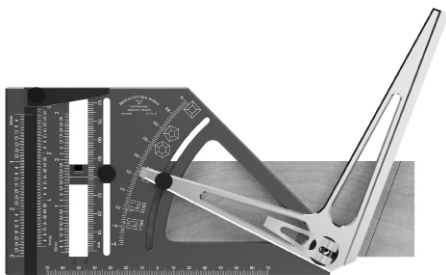
UG-1配有一个可以快速定位的量角器，量角器的量程为0-45°，刻度的分辨率为0.5°，因此可以通过观察快速定位1/4°。与磁性基座或基座参考面组合使用可以组合成一个快速定位或划线工具。刻度上的快速定位图标可以设置常用多边形的角度快速定位。

燕尾规

在手工制作燕尾榫时，可以通过量角器刻度上的快速定位图标将量角器快速设置到6:1或8:1的比例用于手工划线。如果需要镜像的设置，你可以使用滑动角规传递尺寸。

角度划线

UG-1是非常高效的划线工具并且可以替代滑动角规。可调定位支腿可以在工件上平放，精确将工具上的角度传递至工件上。锁紧手柄一只手即可操作，配合量角器锁紧旋钮可以提供稳定的锁紧力。



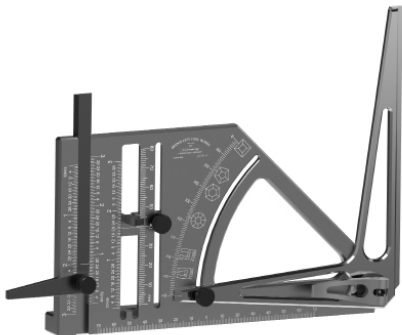
深度规

UG-1具有一个深度规，可以量取最小直径6mm (1/4") 圆孔或更大部位的深度。最大量程为76mm (3")。可以使用深度规确认榫眼、凹槽、圆孔或其他凹陷处的深度。量块使用燕尾槽结构设计，滑动精确，锁紧稳定。也可以配合铣床确定铣刀深度或靠山位置。



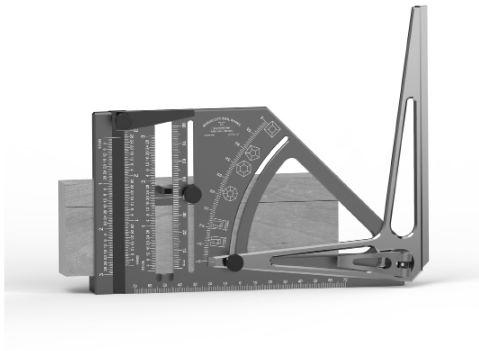
高度规

一个好的高度规可以节省非常多的时间。将深度规滑块滑出并且反向滑入即可组装成高度规。高度规主要设置台锯锯片、推锯锯片和铣刀的高度。



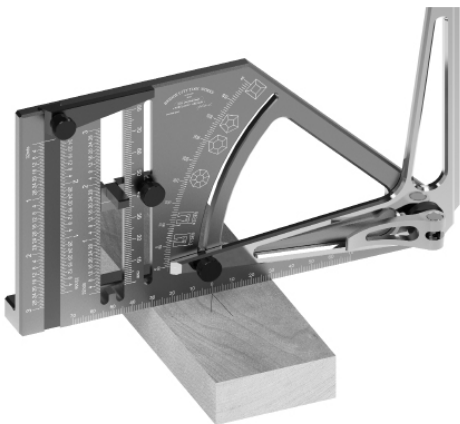
划线规

UG-1上的划线规可以在工件上快速划出已基座参考面距离相同的平行线。这个划线规并没有常规的划线规那样好用，但是在制作榫头或其他需要划出平行线的工作上非常实用。将红色定位块设定到理想位置，并且将笔放置在下方定位，滑动UG-1即可完成划线工作。



中心尺

UG-1可以快速定位最宽140mm (5.5") 工件的中心点。公制刻度的中心尺可以非常快速的定位,只需要将工件两端与刻度尺上两侧对齐,并找到相同的度数,那么中心的0点即为中心点。



水平支脚

当你需要将UG-1放置在水平桌面上时,将水平支脚反转下来,并且滑动划线规游标至顶端即可。这可以防止UG-1在桌面上倾倒。



公英制对比

UG-1的划线规有两侧刻度，一侧公制、另一次为英制刻度。滑动划线规游标即可快速读出对应尺寸。你很快就会发现25mm对应1”，12mm对应1/2”英寸。

磁性基座

在双手都需要完成其他工作的时候你会发现磁性基座非常有用，你可以将UG-1通过磁性基座固定在机械设备的表面用于快速定位或者完成其他设置。

推锯用户

UG-1是推锯用户的理想配件。他可以非常方便的设置锯片高度，倾角和靠山斜角。而对于大多数推锯用户而言都装配了支腿，你可以非常方便的将他通过磁性基座固定在支腿上。这可以让推锯的使用更加方便快捷和准确。

技术参数

总长度@90°:185.6mm

总高度@90°:153.2mm

主体高度:100mm

磁性底座宽度:16mm

重量:560g(不包含包装)

深度、高度规量程:3” / 76.2mm

深度规可量取最小孔径:6mm

划线规量程:2-3/4” / 70mm

角度刻度精度:0.5°

中心尺量程:140mm / 5.5”

中心尺精度:0.5mm 或 1/16”



Warranty

All returns, replacements, technical services, and support shall be handled by distributor's customer service organization. If there is a defect on the workmanship of the tool (with no fault of the customer) within one year from the original date of purchase, please contact with the distributor's customer service organization and they will determine whether to repair or replace the tool.

质保

所有退货、换货、技术服务和支持均由经销商的客户服务机构负责。如果在原始购买日期后一年内发现工具存在工艺缺陷(客户无过),请与经销商客户服务机构取得联系,并由该服务机构决定是否对工具进行修理或更换。