

INSTRUCTION MANUAL

Universal Mobile Base Hardware Kit (Model No.MB-600)

INTRODUCTION

This Universal Mobile Base will keep your shop machine mobile. Made of heavy-gauge steel, it can support up to 600 lbs. and accommodate a 12-in.x 12-in.to 36-in.x 36-in. machine. The four mobile base corners are adjustable for different plywood thickness from 3/4-in to 1-1/2-in. The only assembly required is to cut a sheet of plywood (3/4-in recommended minimum thickness, not included) to size and bolt it into the four corners of the Universal Mobile Base, The Universal Mobile Base features two convenient, foot-operated control pedals for easy raising /lowering and two sturdy swivel casters for maximum mobility.

ASSEMBLY

1. Determine on which side of the machine you want the swivel casters.
2. Measure the width and depth of the machine you intend to use with this Universal Mobile Base.
3. Add 1/2-in. to both the width and depth dimension taken in step #2.
4. Cut a sheet of plywood (3/4-in recommended, not included) to the dimension figured out in step #3.
5. With the swivel caster side already determined, slide the two front swivel mobile base corners (A) onto the plywood. See figure 1.
6. Then lower the floating mounting plate (F) down onto the top surface of the plywood.
7. With a pencil, mark the location of the mounting holes (B) in the mobile base corners on the plywood. See figure 1.
8. Slide on the rear mobile base corners (C), lower the floating mounting plate (F) down onto the surface of the plywood and mark the location of the mounting holes (D). See figure 1.
9. Remove all four mobile base corners.
10. Drill a 3/8-in. diameter hole in the twelve locations marked on the plywood.
11. Place the four mobile base corners back onto the plywood and use the twelve flat head screws and hex nuts to securely fasten the plywood to the mobile base corners.

CARTON CONTENTS

- Instruction sheet
- Flat Head Screw (Qty. 12)
- Hex Nut (Qty. 12)
- Floating mounting plate (Qty. 4)
- Rear mobile base corner (Qty. 2)
- Front swivel mobile base corner (Qty. 2)

Note: Hardware included is for use with 3/4"plywood.

! WARNING

For operator safety, the weight placed on this Universal Mobile Base must rest evenly on all four corners.

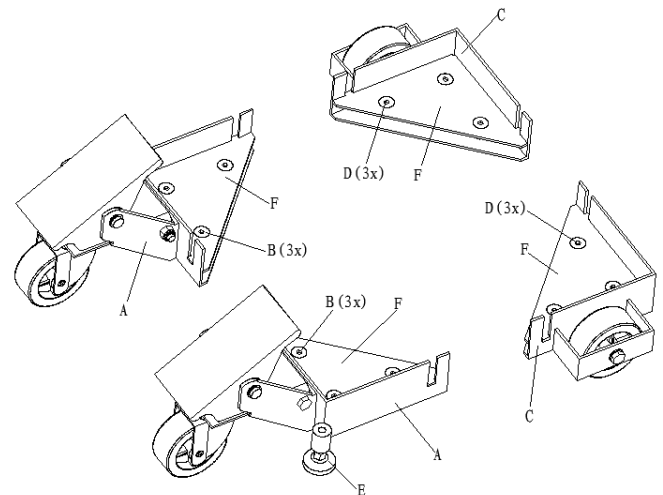


Fig.1

ADJUSTING LEVELING SCREW

The Universal Mobile Base can be adjusted level with the floor surface by raising or lowering one or both leveling screws (E). Leveling screws are located on both of the front swivel mobile base corners. Make all adjustment with the weight on the swivel casters, not the leveling screws. Lower the machine and recheck for level. See figure 1.

RAISING AND LOWERING THE MOBILE BASE

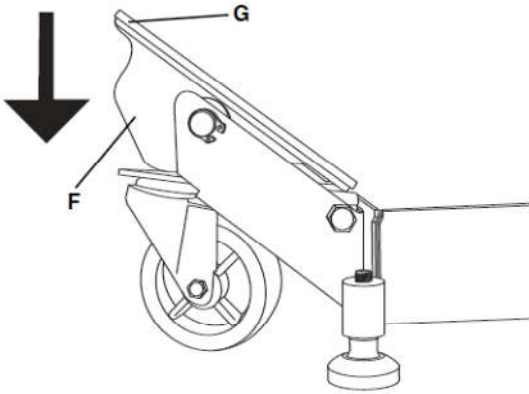


Fig. 2

1. To raise the mobile base from the lowered, stationary position, push the top (G) of each foot pedal (F) down until the pedal locks into place. In the lowered position, the leveling screws are in contact with the floor. See figure 2.

2. To lower the mobile base from the raised, mobile position, push down on the back (H) of each foot pedal. In the raised position the swivel casters are in contact with the floor. See figure 3.

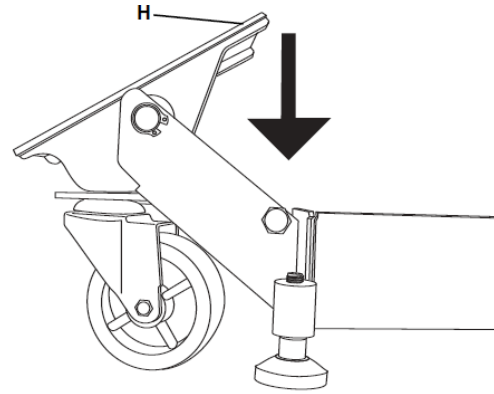


Fig. 3

IMPORTANT: When placing your machine onto the mobile base, make certain that the mobile base is in the lowered, stationary position, and not in the raised, mobile position.

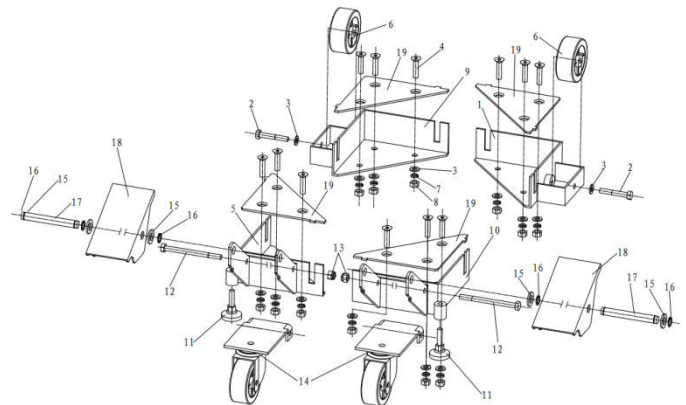
! WARNING

To avoid injury, always operate machine with the mobile base in the lowered, stationary position.

PARTS LIST

	Number	Description
1	HWA17-01	Rear Bracket A
2	GB/T5782	Bolt M8×50
3	GB/T97.1	Flat Washer 8mm
4	GB/T70.3	Hex screw M8×35
5	HWA 17-04	Front bracket A
6	HWA 17-08-01	Wheel
7	GB/T93	Spring washer 8mm
8	GB/T6170	Nut M8
9	HWA 17-02	Rear Bracket B
10	HWA 17-03	Front bracket B
11	HWA 17-07	Screw
12	GB/T5782	Bolt M8×100
13	GB/T889.1	Nut M8
14	HWA 17-08	Bracket with wheel
15	GB/T97.1	Flat washer 12mm

16	GB/T894.1-1986	Ring
17	HWA 17-06	Shaft
18	HWA 17-05	Foot Pedal
19	HWA 17-09	Floating mounting plate



It's suitable for the Harvey's standard models, and the sizes of the homemade plates for these standard models are as follows:

Model	Footprint	MB-600 Homemade Plate Size
C200	20-1/4"×19-5/8"(514×498mm)	21-1/4"×20-5/8"(539×523mm)
HW110LC	20-1/4"×19-5/8"(514×498mm)	21-1/4"×20-5/8"(539×523mm)
C300	19-3/4×20"(500 x 508 mm)	20-3/4×21"(525×533mm)
HW110S-36&52	21" x 22" (533 x 560 mm)	22" x 23"(558×585mm)
HW303	23-1/4"×20-3/4"(590X530mm)	24-1/4"×21-3/4"(615×555mm)
HW110TC-36P&52P	21" x 22" (533 x 560 mm)	22" x 23"(558×585mm)